





GENUINE SATELLITE RADIO KIT

INSTALLATION INSTRUCTIONS

Thank you for purchasing a genuine Mazda accessory.
Before removal and installation, be sure to thoroughly read these instructions.
Please read the contents of this booklet in order to properly install and use the satellite radio kit. Your safety depends on it.
Keep these instructions with your vehicle records for future reference.

WARNING

- There are several  **WARNING** and  **CAUTION** sections in this booklet concerning safety when installing. Always read and follow them in order to prevent injuries, accidents, and possible damage to the vehicle.
 -  **WARNING:** Indicates a situation in which serious injury or death could result if the warning is ignored.
 -  **CAUTION:** Indicates a situation in which bodily injury or damage to the vehicle could result if the caution is ignored.
- If in any doubt, please ask your Mazda dealer to install the accessory in order to prevent errors in installation.
- If you have any questions about the use of the accessory, ask your Mazda dealer for proper advice before using it.
- Mazda and its suppliers are not responsible for injuries, accidents, and damage to persons and property that arise from the failure of the dealer or installer to follow these instructions.
- To ensure safety and reliability of the work, installation, removal and disposal work done by an Authorized Mazda Dealership is recommended.
- Be careful not to lose removed parts, and be sure that they are kept free from scratches, grease or other dirt.

PART NAME: **SATELLITE RADIO KIT**
PART NUMBER: **0000 81 L25 (Harness Kit H5)**
VEHICLE: **MAZDA5**

Note

To the dealer

- Please turn over these instructions to the customer after installation.

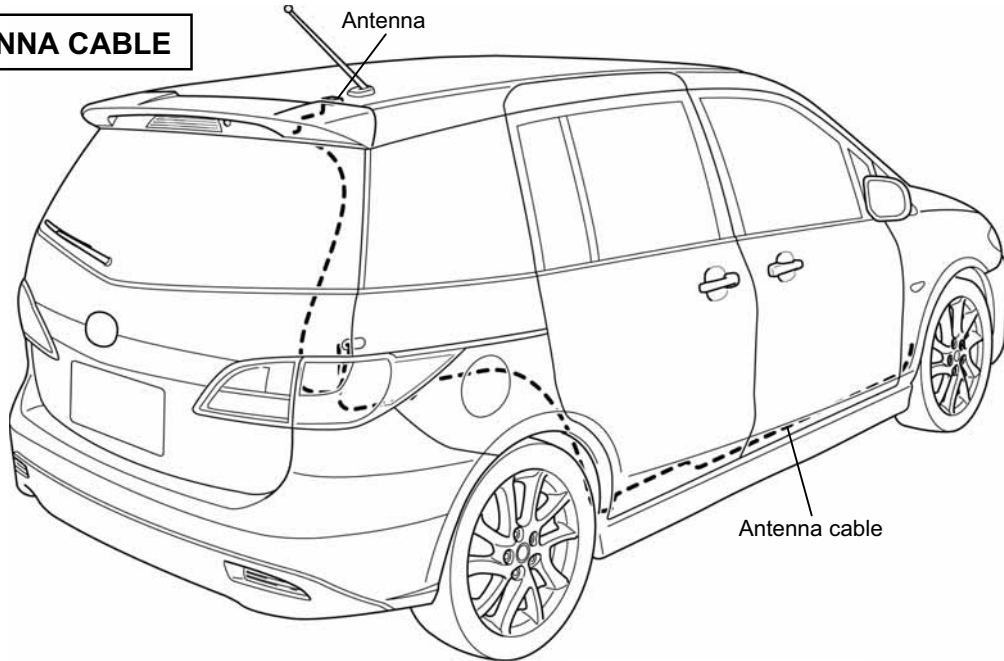
To the customer

- Keep these instructions after installation. The instructions may be necessary for installing other optional parts or removal of this accessory.
- Should the vehicle or this accessory be resold, always leave these instructions with it for the next owner.

1ED6P11A23800

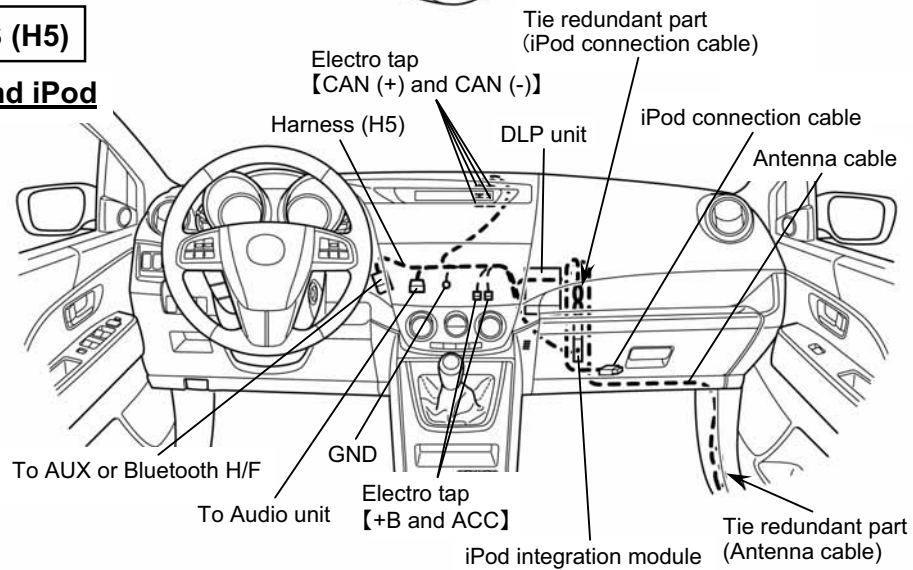
1 INSTALLATION VIEW

ANTENNA CABLE

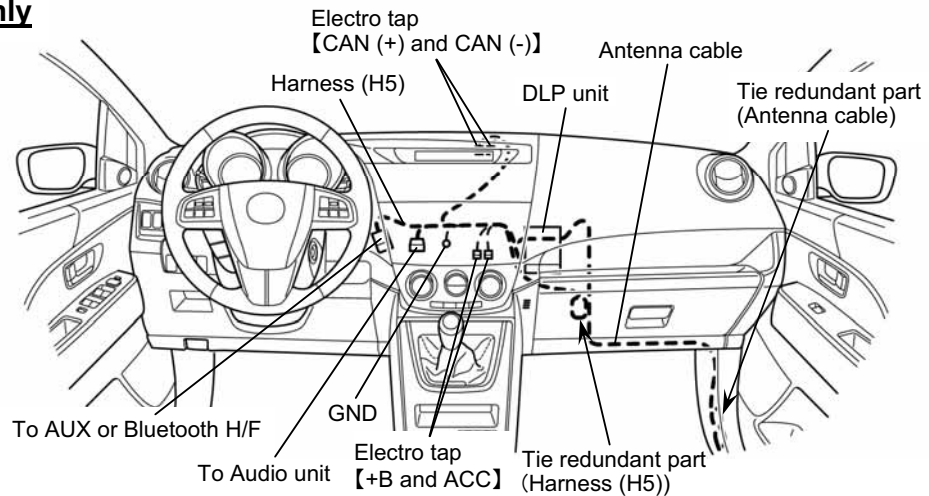


HARNESS (H5)

SIRIUS and iPod

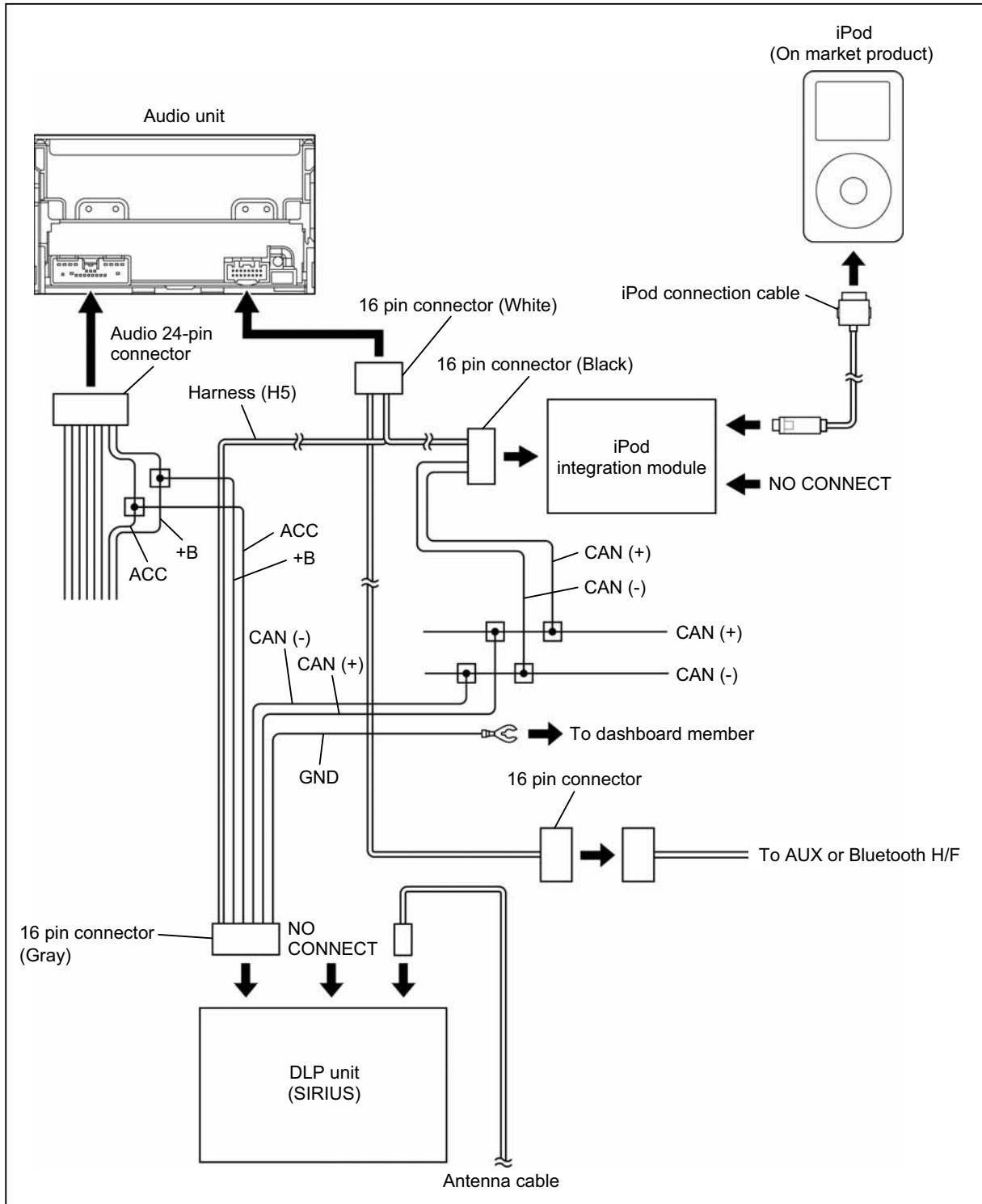


SIRIUS only



2 CONNECTION DIAGRAM

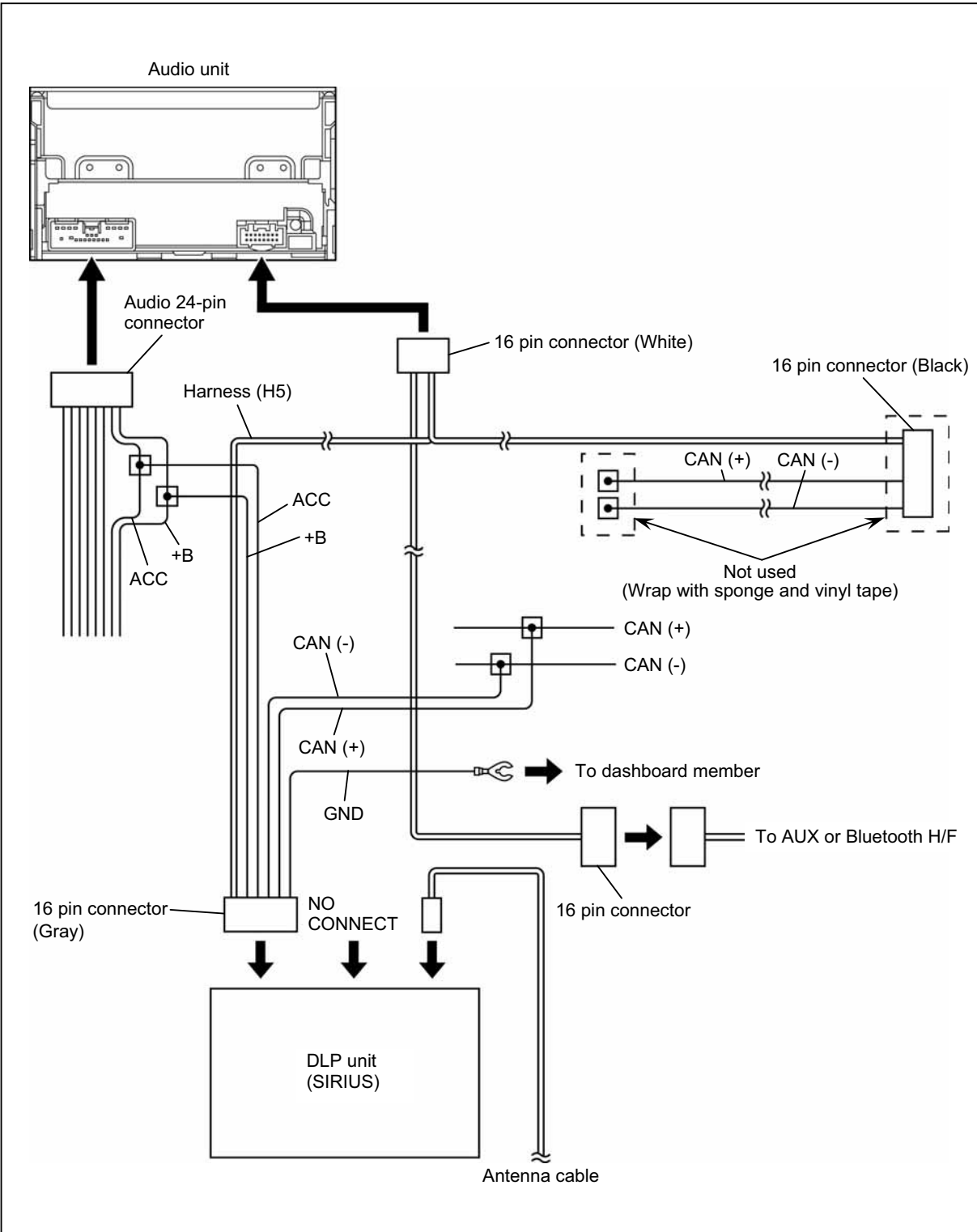
<Installation of SIRIUS and iPod integration module>



⚠ CAUTION

- When connecting a connector, be sure to insert it straight along the guide. The connector terminal may be bent if inserted at an angle.

<Installation of SIRIUS only>



⚠ CAUTION





- When connecting a connector, be sure to insert it straight along the guide. The connector terminal may be bent if inserted at an angle.

3 PARTS


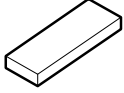
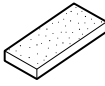
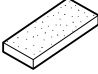
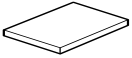
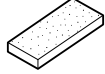

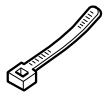
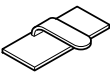

Note

- Verify that the kit includes all the following parts and that they are free of dirt, scratches or damage.
- All hardware required to install is contained in the two Satellite Radio Kits below.

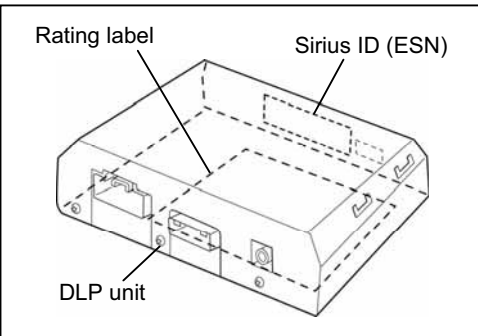
Main Kit (0000 81 Z40)

Part	Part name	Qty.	Part	Part name	Qty.	Part	Part name	Qty.
	Antenna	1		DLP unit	1		Alcohol wipe	1
	Nut	2						

Harness Kit H5 (0000 81 L25)

Part	Part name	Qty.	Part	Part name	Qty.	Part	Part name	Qty.
	Harness (H5)	1		Double-sided adhesive tape	2		Pad protector	10
	Pad protector (thin)	1		Urethane	2		Sponge	2
	Tie wrap (Small)	24		Tie wrap (Large)	14		Clip	3
	Installation instructions	1						

4 BEFORE INSTALLATION

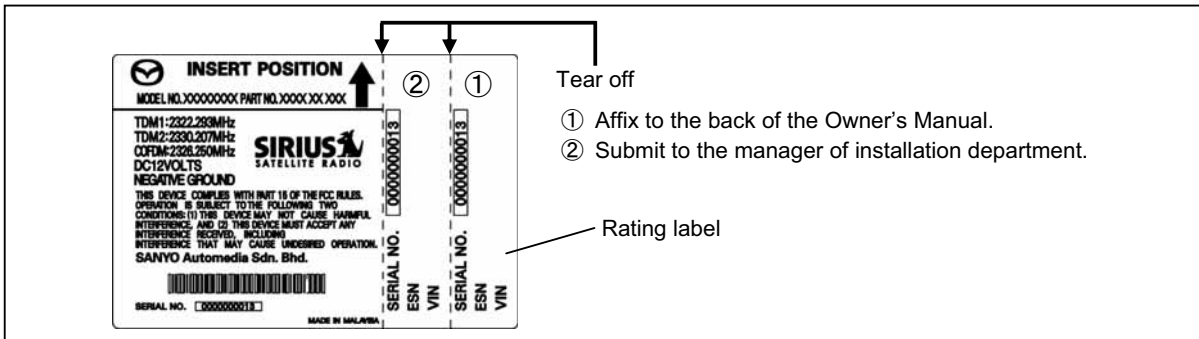


Rating Label Removal

1. Tear off lower part of the rating label on the bottom of DLP unit.
2. If there is nothing written in the Sirius ID (ESN) space of the rating label, write down the 12-digit number printed in the location shown in the figure.
3. Affix one rating label in the last page of the **Owner's Manual**.

Note

- The other rating label is for the dealer (port) records.
- Do not fail to submit the record.

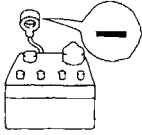


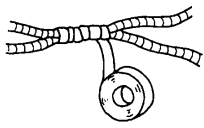


REQUIRED TOOLS


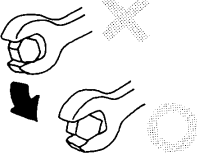
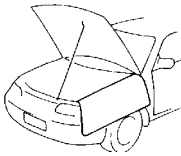
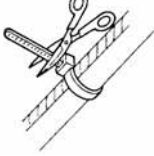
Prepare the following tools or items before installation.

- Electrical vinyl tape ● Mat ● Scissors ● Scale ● Touch-up paint or Zinc primer
- Phillips screwdriver ● Socket driver (8 mm, 10 mm, 14 mm) ● Torx wrench ● Wrench ● File
- ISP alcohol

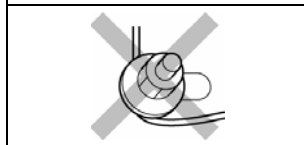
⚠ WARNING

<p>When the negative battery cable is connected during operation, it may cause electric shock or other personal injuries. Disconnect the negative battery cable before removal/installation.</p>	<p>When connecting/disconnecting connectors, grasp the connectors, not the wires. Otherwise a short, an accident from poor contact or fire may occur.</p>	<p>Do not pull the harness with excessive force. Doing so can cause a breakage or a short-related accident, as well as an electrical short or fire.</p>	<p>Secure the harness with the band (part included) so it doesn't dangle. If not, it may cause a short, accident, or fire.</p>
			

⚠ CAUTION

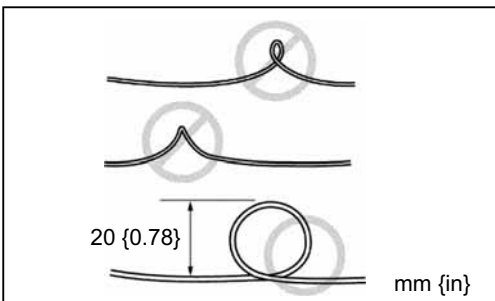
<p>Put the removed parts and the parts in the kit on the protective sheet to prevent scratches.</p>	<p>Using improper tools may cause damage and or broken parts. Use the correct tool for the job.</p>	<p>Be sure to cover the vehicle body with protectors or mats to prevent stains, scratches and damage when removing/installing the vehicle parts.</p>	<p>Excessive length of tie wrap may interfere with other parts and cause damage. Cut unnecessary part up to about 5 mm {0.19 in} from the fixed point.</p>
			

Take care not to trap antenna cable under attachment nuts.



⚠ WARNING

- When removing/installing the parts, park the vehicle on level ground and apply the side brake securely. Be sure to turn the ignition switch off, otherwise the vehicle can move, causing personal injury or vehicle damage.



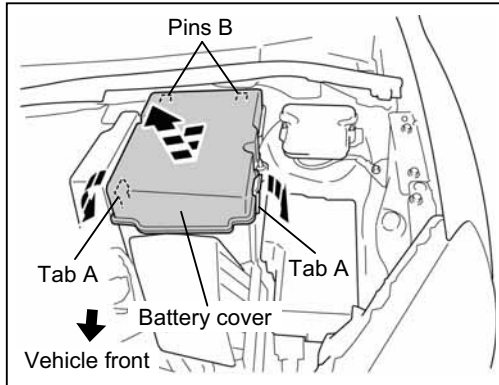
⚠ CAUTION

- During the installation of the antenna cable make sure the cable is not pinched, knotted "kinked" or coiled too tightly. It is recommended that a coil of less than 20 mm {0.78 in} be avoided if possible.
- If this wiring procedure is not followed, the performance of the antenna will be affected and could result in increased audio muting.

Note

- When the negative battery cable is removed, the clock, radio, trip meters and other memories will be erased. Before performing work, record the content of the memory.

5 PART REMOVAL



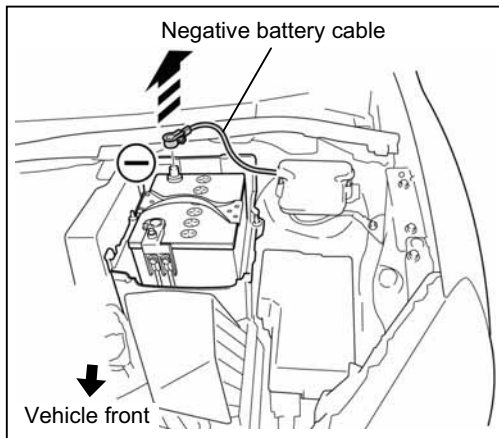
Battery cover removal

1. Set the selector lever to D range. (ATX only)

⚠ WARNING

- When removing/installing the parts, park the vehicle on level ground and apply the side brake securely. Be sure to turn the ignition switch off, otherwise the vehicle can move, causing personal injury or vehicle damage.

2. Remove tabs A and lift up the front of the battery cover.
3. Pull the battery cover outward, remove pins B, and remove the battery cover.

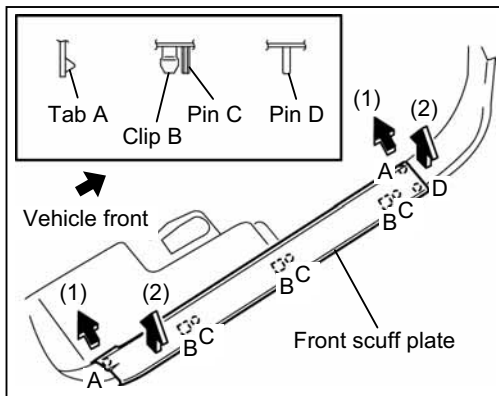


Negative battery cable disconnection

1. Disconnect the negative battery cable and wrap its terminal with tape to insulate it.

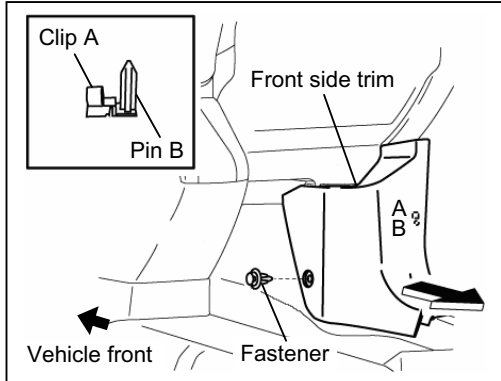
⚠ WARNING

- When the negative battery cable is connected during operation, it may cause electric shock or other personal injuries. Disconnect the negative battery cable before removal/installation.



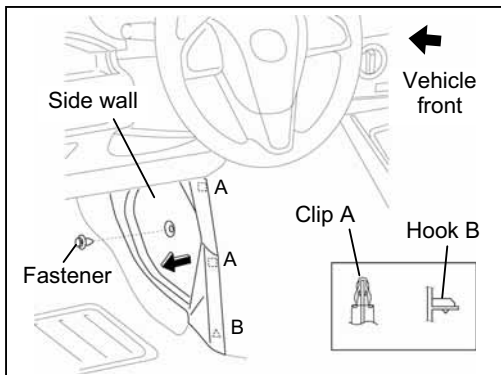
Front scuff plate (passenger's side) removal

1. Open the front scuff plate in the direction of the arrows (1) shown in the figure, pull it in the direction of the arrows (2) with tab A removed, remove clips B, pins C, and pin D, and then remove the front scuff plate.



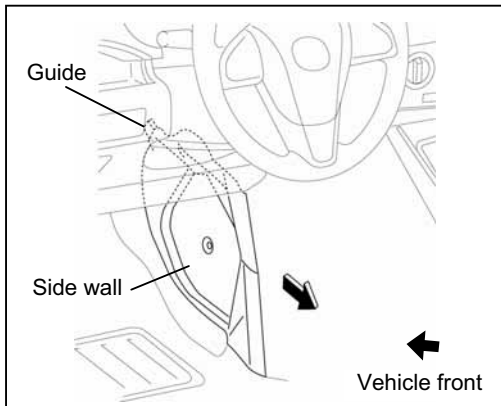
Front side trim (passenger's side) removal

1. Partially peel back the seaming welt.
2. Remove the fastener.
3. Pull the front side trim in the direction of the arrow and detach the clip A and pin B.
4. Remove the front side trim.

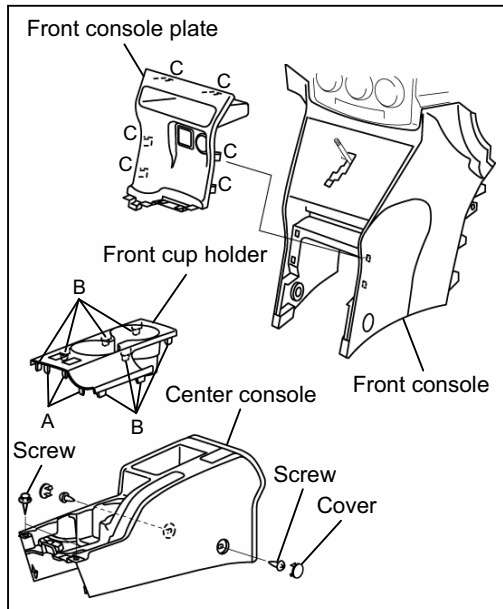


Side wall (driver's and passenger's side) removal

1. Remove the fastener.
2. Pull the side wall in the direction of an arrow, and disengage the clips A and hook B.

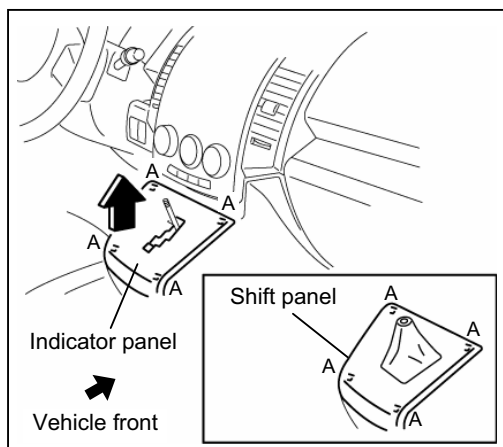


3. Pull the side wall in the direction of the arrow shown in the figure, then remove it while detaching the guide.
4. Remove the side wall.

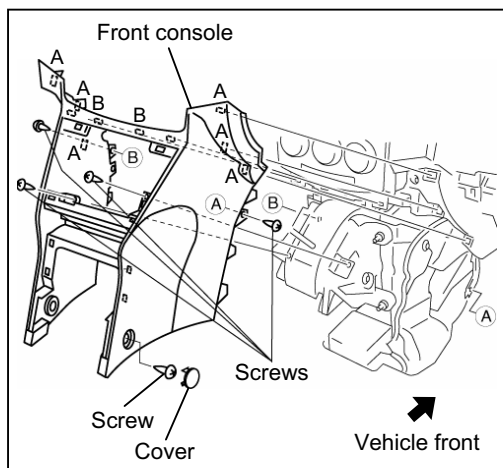


Front console removal

1. Pull the front cup holder upward and detach the tabs A and tabs B to remove the front cup holder from the center console, and disconnect the connectors.
2. Pull the front console plate outward and detach clips C to remove the front console plate from the front console, and disconnect the connectors.
3. Remove the screws, then remove the center console.



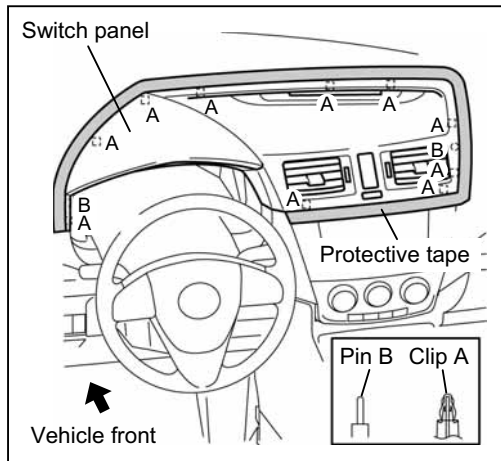
4. Remove the shift knob (MTX) or selector lever knob (ATX).
5. Detach the clips A to remove the shift panel (MTX) or indicator panel (ATX) from the front console.



6. Remove the screws (MTX:4, ATX:6).
7. Pull the front console outward and detach clips A and tabs B to remove the front console.

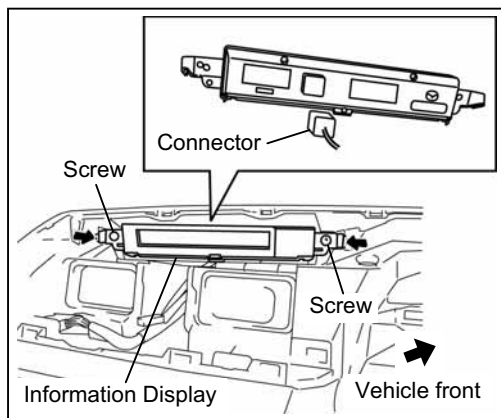
⚠ CAUTION

- There are tabs B that are very difficult to access behind the face plate. Failure to properly release these tabs will result in damage to the front console. Use care to ensure these two tabs are released before removing the front console.



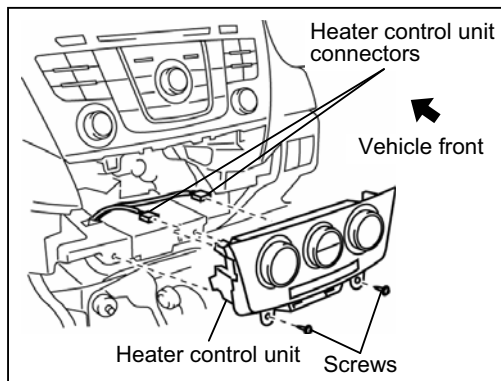
Switch panel removal

1. Affix protective tape to the area shown in the figure to protect the switch panel from scratches.
2. Pull the switch panel outward and detach clips A and pins B.
3. Disconnect the hazard switch connector and Bluetooth connector (if equipped).
4. Remove the switch panel.



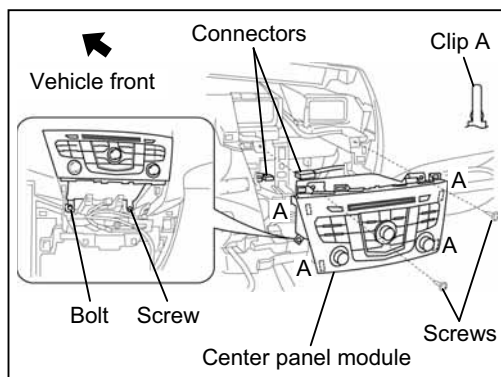
Information display removal

1. Remove the screws.
2. Remove the information display while pressing the tabs shown in the figure.
3. Disconnect the connector and remove the information display.



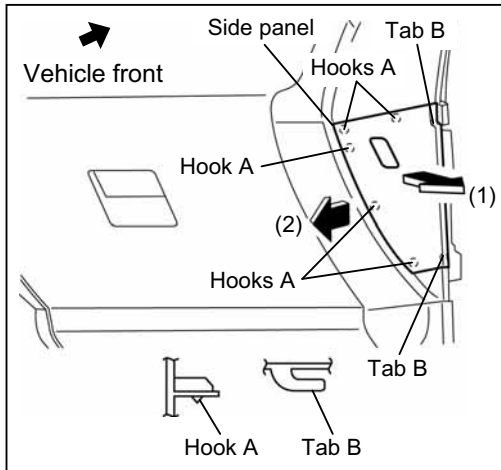
Heater control unit removal

1. Remove the screws.
2. Disconnect the heater control unit connectors.
3. Remove the heater control unit.



Center panel module removal

1. Remove the screws and bolt.
2. Pull the audio unit outward and disengage clips A.
3. Disconnect the connectors and remove the center panel module.



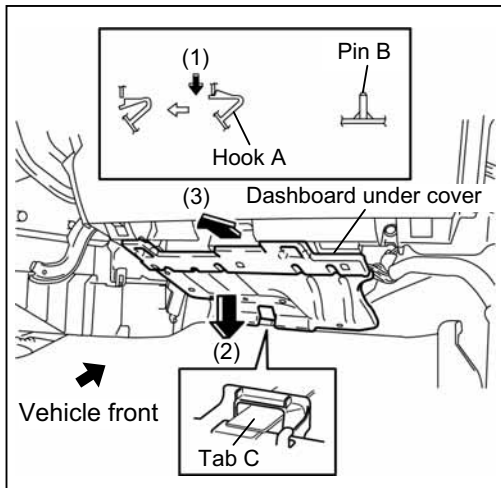
Side panel removal

1. Pull the side panel in the direction of the arrow (1) shown in the figure, then remove the hooks A.

⚠ CAUTION

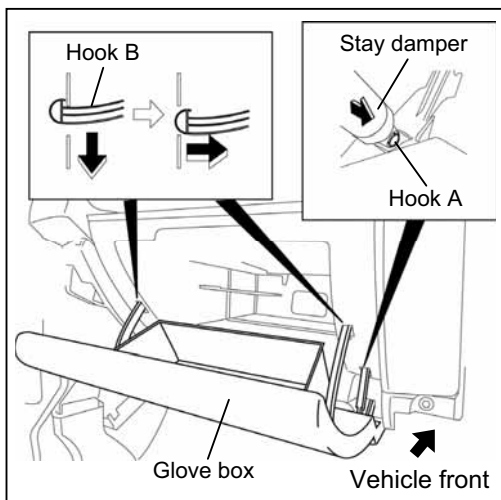
- When pulling out the side panel, be careful not to damage the tabs B.

2. When pulling out the side panel, be careful not to damage the tabs B.
3. Remove the side panel.



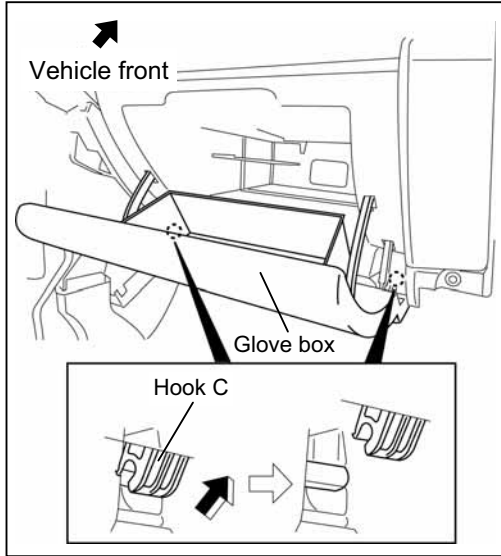
Dashboard under cover removal

1. Detach the hooks A and pins B in the direction of arrow (1) shown in the figure.
2. Pull the dashboard under cover in the direction of arrow (2).
3. Remove the dashboard under cover in the direction of arrow (3), then remove the tab C.

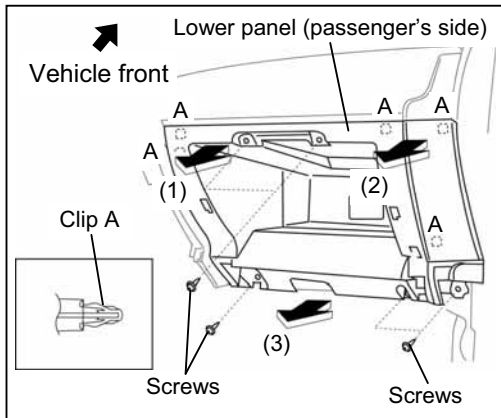


Glove box removal

1. Push the stay damper in the direction of the arrow and disengage the hook A.
2. Push down and disengage the hooks B.

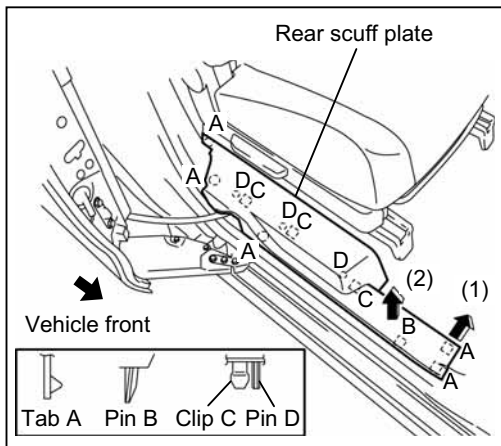


3. Pull the glove box up shown in the figure, and disengage the hooks C.
4. Remove the glove box.



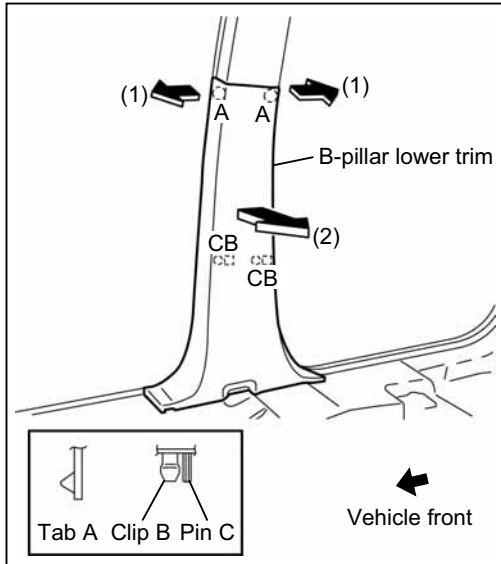
Lower panel (passenger's side) removal

1. Remove the screws.
2. Pull the lower panel in the direction of the arrow in the order of (1) to (3), and remove the lower panel while detaching the clips A.



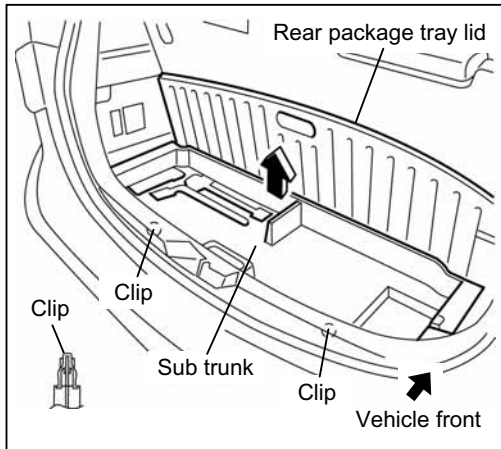
Rear scuff plate (passenger's side) removal

1. Detach tabs A while pulling the rear scuff plate in the direction of the arrow (1) shown in the figure, then detach pin B, clips C, pins D while pulling in the direction of the arrow (2).
2. Remove the rear scuff plate.



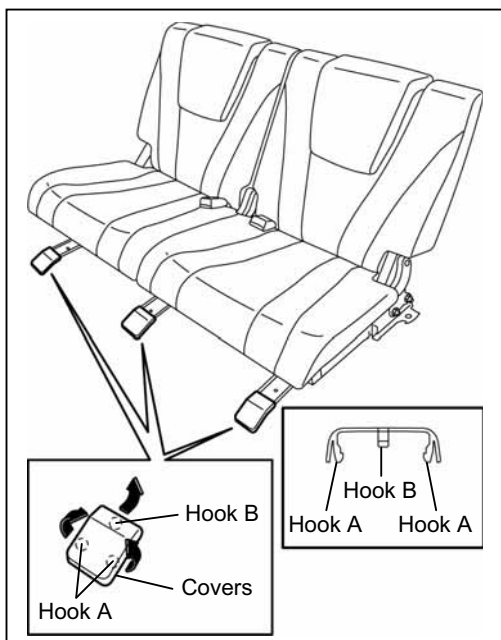
B-pillar lower trim (passenger's side) removal

1. Partially peel back the seaming welt.
2. Pull the B-pillar lower trim in the direction of the arrow (1), (2) shown in the figure, detach tabs A, clips B, pins C.
3. Remove the B-pillar lower trim.



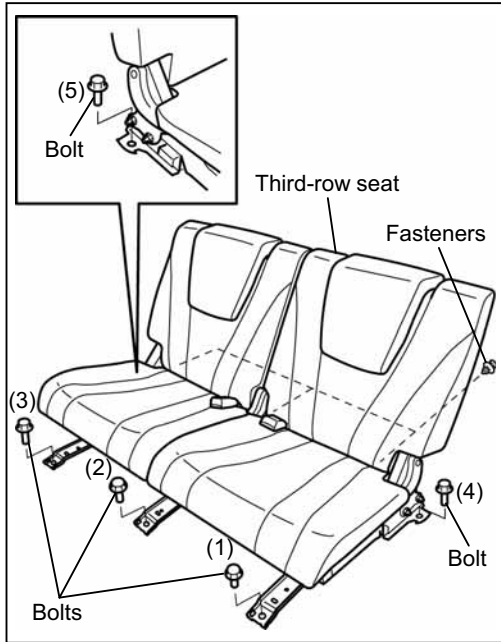
Sub trunk removal

1. Pull up the rear package tray lid, then remove the sub trunk direction of the arrow shown in the figure.



Third-row seat removal

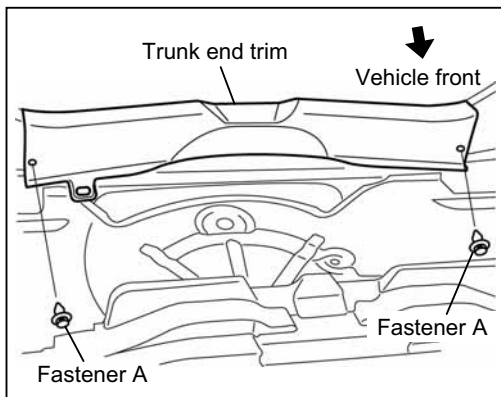
1. Detach the hook A and B, remove the covers.



2. Remove the floor covering installation fasteners.
3. Remove the bolts in the order of (1), (2), (3), (4), (5), then remove the third-row seat.

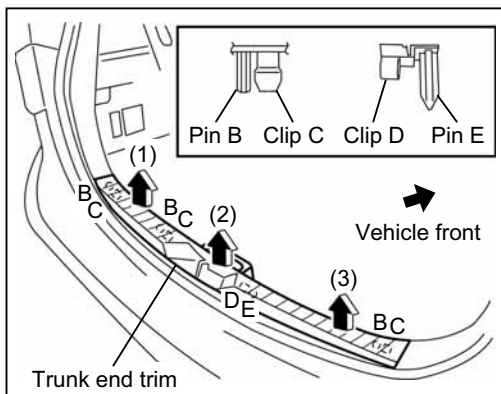
⚠ CAUTION

- **Tightening torque**
Bolt : 37.0 – 54.0 N·m
{3.8 – 5.5 kgf·m, 28.0 – 39.0 ft·lbf}

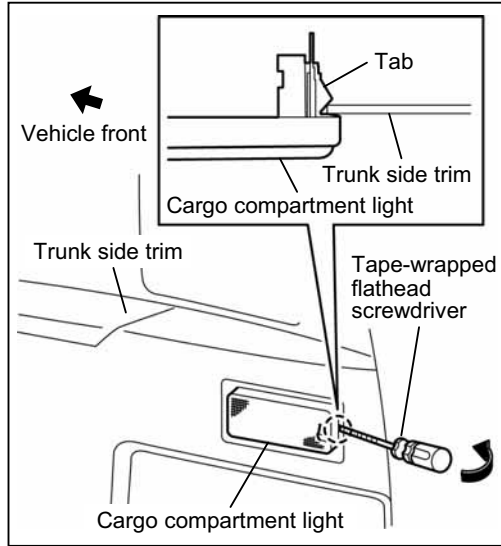


Trunk end trim removal

1. Remove the fasteners A.

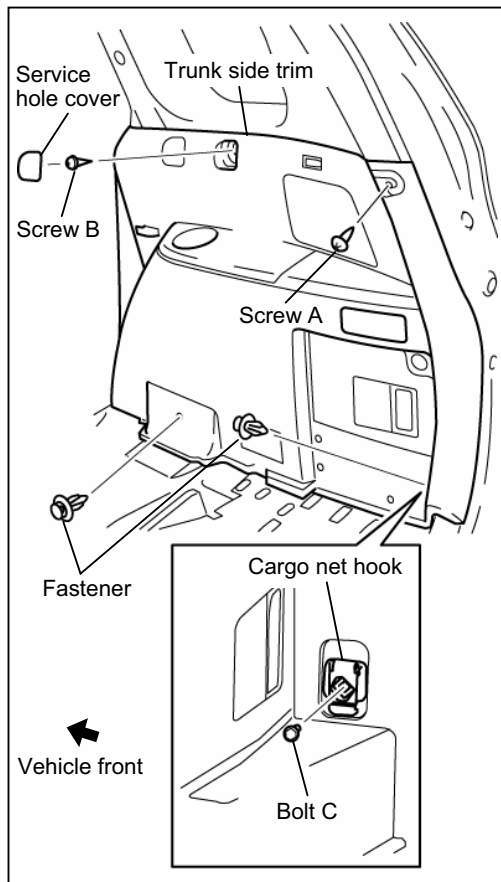


2. Pull the trunk end trim in the direction of the arrow (1), (2), (3) shown in the figure and remove pins B, clips C, D, and pin E.
3. Remove the trunk end trim.



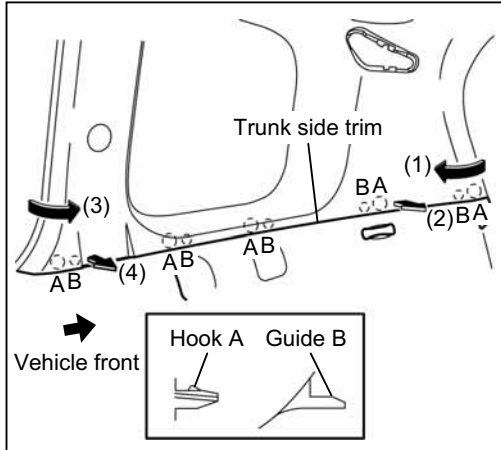
Cargo compartment light removal

1. Insert a tape-wrapped flathead screwdriver in the position shown in the figure, detach the tab by prying it in the direction of the arrow.
2. Disconnect the connector.
3. Remove the cargo compartment light.

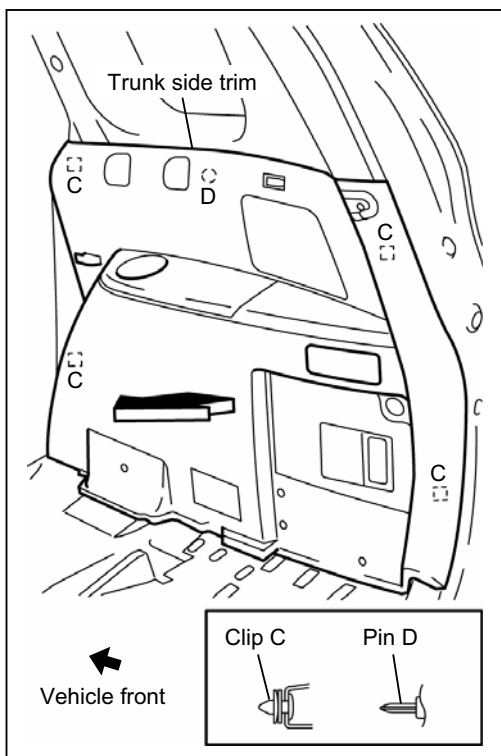


Trunk side trim (passenger's side) removal

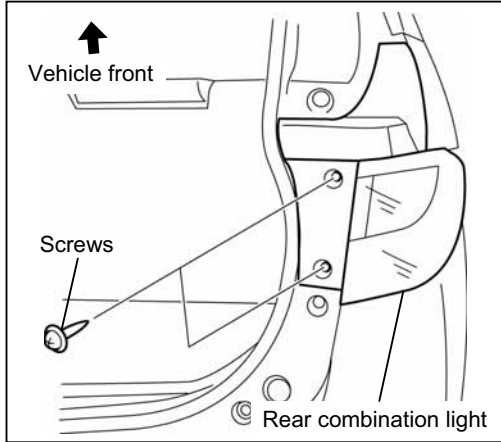
1. Remove the screw A.
2. Remove the service hole cover, then remove the screw B.
3. Remove the bolt C, then remove the cargo net hook.
4. Remove the fasteners.



5. Hold c-pillar trim with your hands and pull the trunk side trim in the direction of the arrow (1), (2), (3), (4) and remove hooks A and guides B.

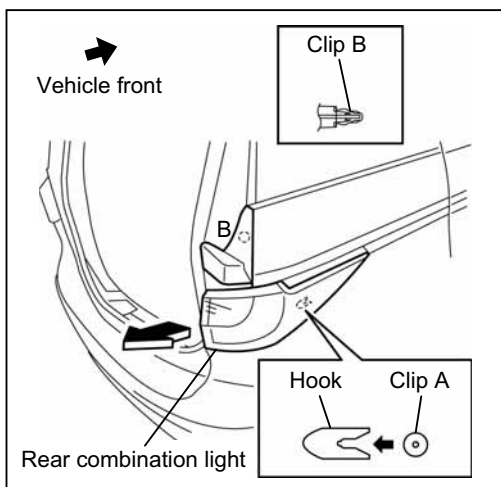


6. Pull the trunk side trim in the direction of arrow, while remove the clips C and pin D.
7. Remove the trunk side trim.



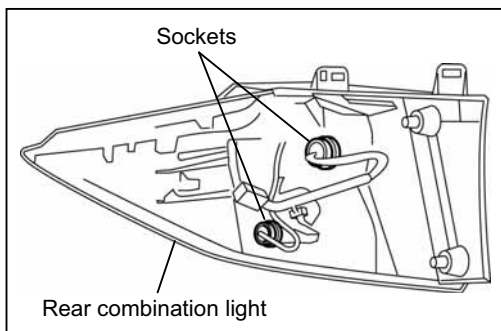
Rear combination light (passenger's side) removal

1. Remove the screws.

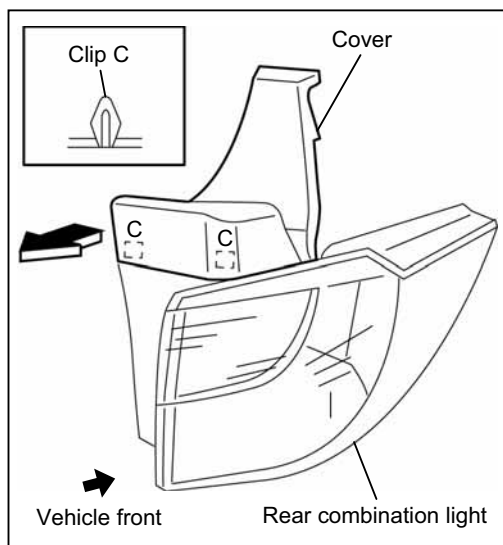


2. Pull the rear combination light in the direction of the arrow to detach the hook from clip A.

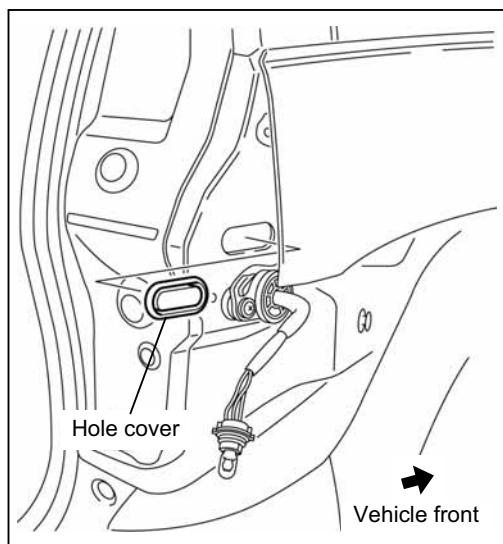
3. Detach clip B.



4. Remove the sockets.



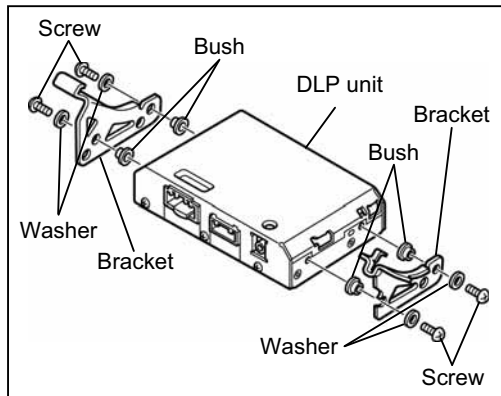
5. Remove the rear combination light.
6. Pull the cover in the direction of the arrow shown in the figure and remove the rear combination light while detaching the clips C.



Hole cover removal

1. Remove the hole cover.

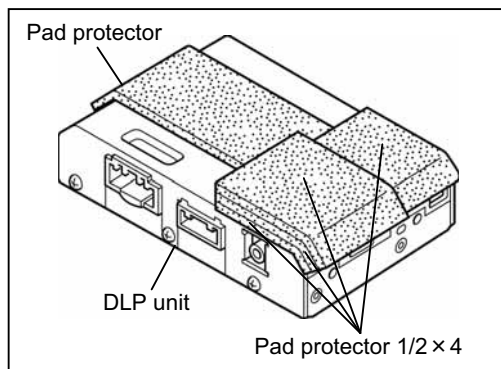
6 INSTALLING DLP UNIT



1. Remove the bushes (4 locations), brackets (2 locations), washers (4 locations), and screws (4 locations) from the DLP unit.

Note

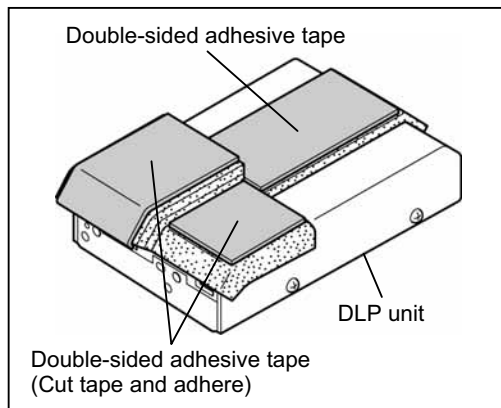
- The brackets are not used with the installation of this accessory.



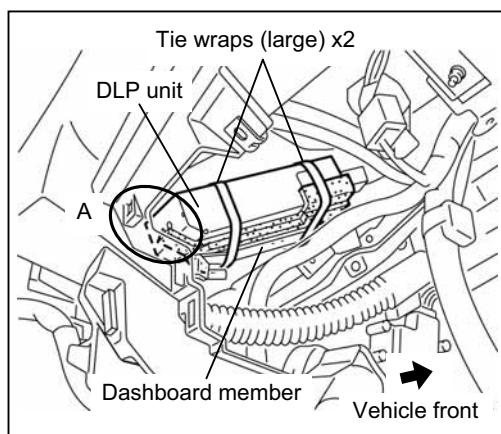
2. Affix the pad protectors to the DLP unit as shown in the figure.

CAUTION

- To ensure proper affixing, be sure to degrease the area where the pad protector is affixed.



3. Affix the double-sided adhesive tape to the DLP unit shown in the figure.



4. Install the DLP unit to the dashboard member.

CAUTION

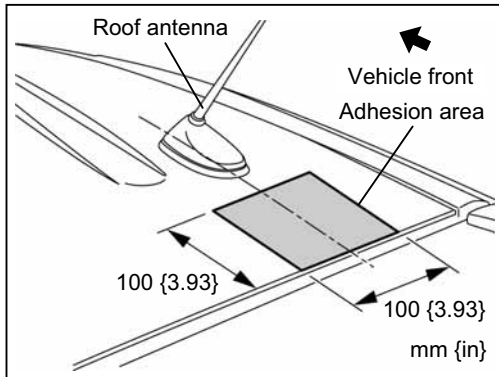
- To ensure proper affixing, be sure to degrease the area where the double-sided adhesive tape is affixed.

Note

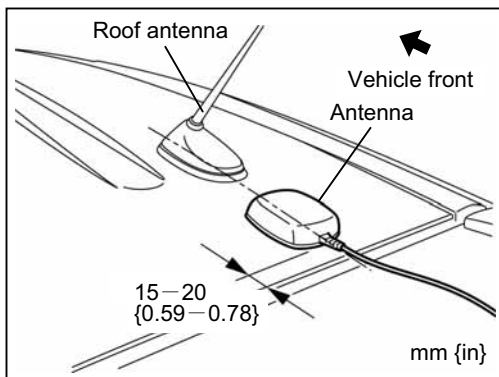
- Make sure there is clearance from the DLP to the glove box and glove box tab in area A.

5. Connect the two tie wraps (large) and secure the DLP unit to the dashboard member.

7 INSTALLING ANTENNA



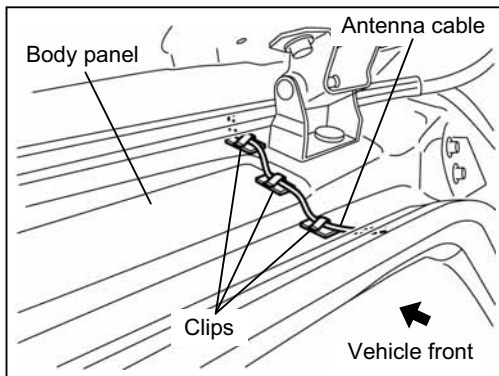
1. Clean the adhesion area on the roof with isopropyl alcohol (IPA).



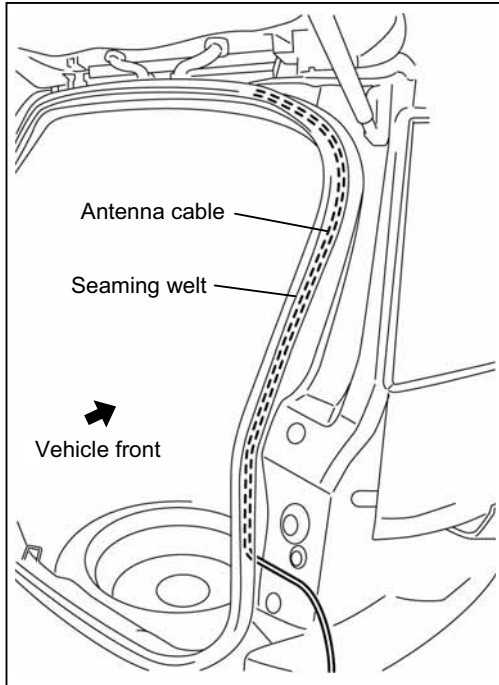
2. Install the antenna in the position shown in the figure.

⚠ CAUTION

- To ensure proper affixing, be sure to degrease the area where the double-sided adhesive tape is affixed.



3. Clean the adhesion area on the body panel with isopropyl alcohol (IPA).
4. Attach the clips to the vehicle in the flat areas shown in the figure.
5. Install the antenna cable to the clips.

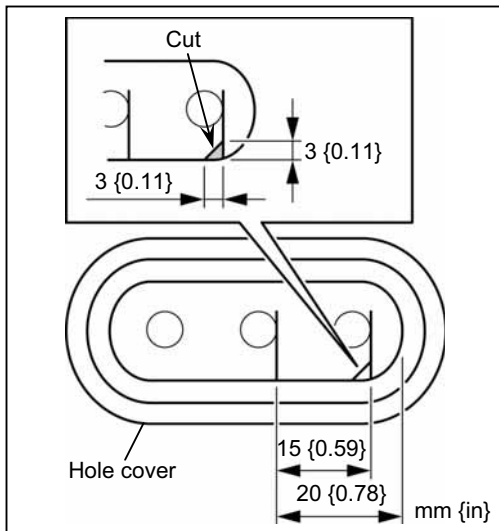


- Pull the seam upward and route the antenna cable in the seaming welt. (Does not need to be completely removed.)

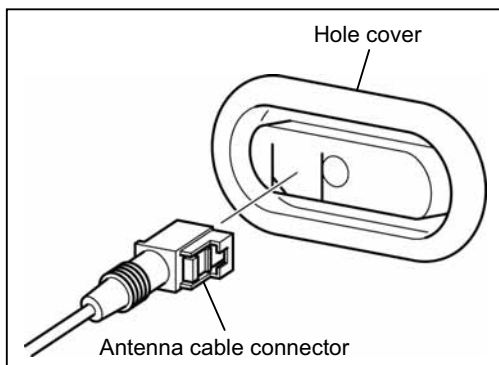
⚠ CAUTION

- It is critical that the antenna follows the route as shown. Failure to follow this route will not provide the slack required to open and close the liftgate.
- Be careful not to tear the seaming welt when pulling it up.
- Do not remove trunk seam from the flange. The antenna cable must not interfere with the flange seals.

- Reinstall the rubber seaming welt to its original position.



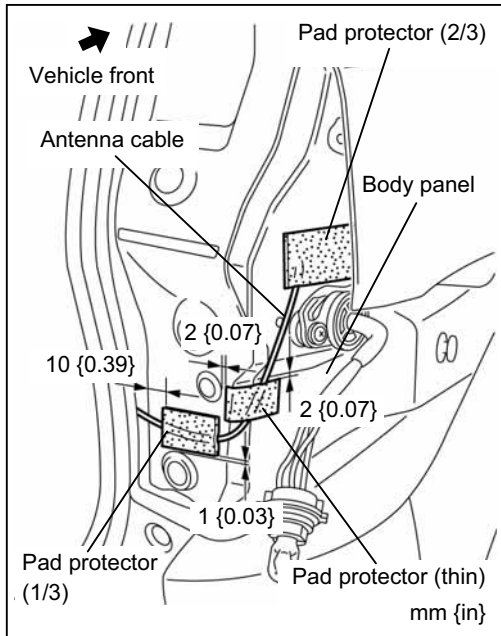
- Cut the hole cover on the underside of the vehicle as shown in the figure and cut out a section of the cover.



- Route an antenna cable connector from the hole cover on the vehicle underside.
- Reinstall the hole cover.

⚠ CAUTION

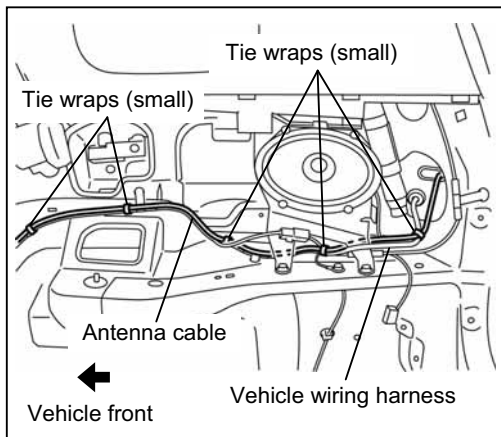
- Install the antenna cable connector so that the part going through the hole cover is pointed towards the rear of the vehicle.
- Make sure the hole cover is reinstalled securely to prevent water from penetrating the vehicle cabin.



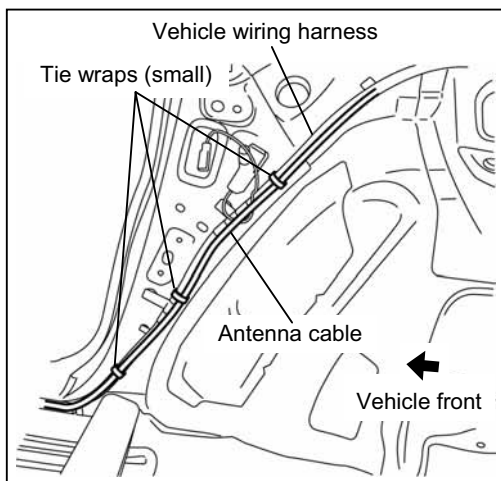
11. Affix the antenna cable to the body panel using a pad protector (1/3 and 2/3) and pad protector (thin).

CAUTION

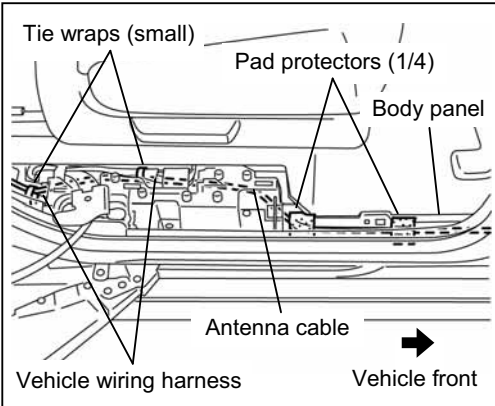
- To ensure proper affixing, be sure to degrease the area where the pad protector is affixed.
- Always adhere the pad protector (2/3) on the hole cover with the antenna cable pointed downward. Otherwise, it may cause water leakage into the vehicle cabin.



12. Secure the antenna cable to the vehicle wiring harness with tie wraps (small).



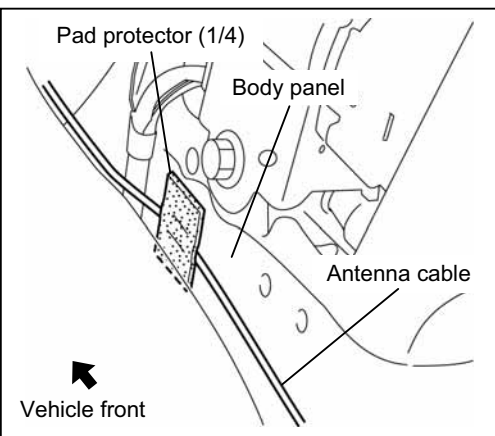
13. Secure the antenna cable to the vehicle wiring harness with tie wraps (small).



14. Secure the antenna cable to the vehicle wiring harness with tie wraps (small).
15. Affix the antenna cable to the body panel using pad protectors (1/4).

CAUTION

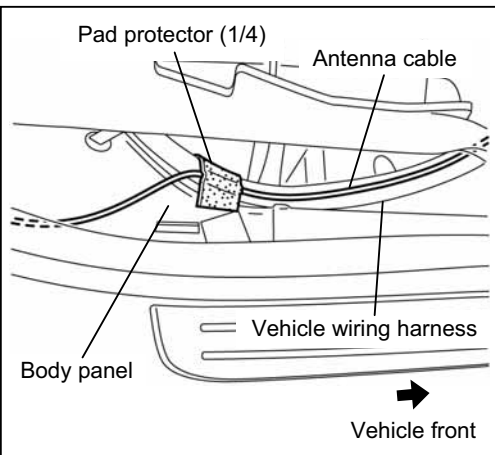
- To ensure proper affixing, be sure to degrease the area where the pad protector is affixed.



16. Affix the antenna cable to the body panel using a pad protector (1/4).

CAUTION

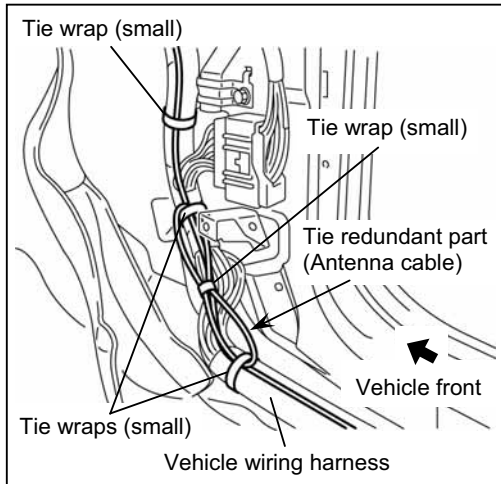
- To ensure proper affixing, be sure to degrease the area where the pad protector is affixed.



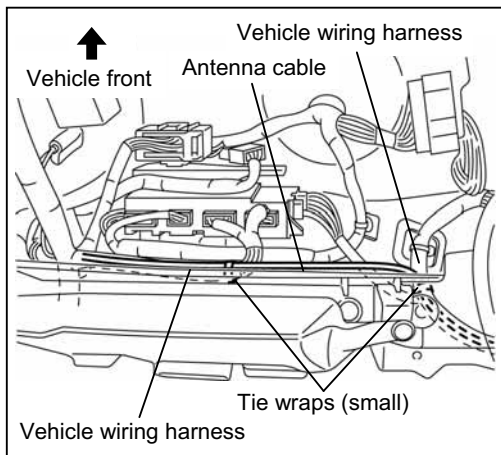
17. Affix the antenna cable to the body panel and vehicle wiring harness using a pad protector (1/4).

CAUTION

- To ensure proper affixing, be sure to degrease the area where the pad protector is affixed.



18. Bundle the redundant part of the antenna cable and secure it using a tie wrap (small).
19. Secure the antenna cable and the redundant part to the vehicle wiring harness using tie wraps (small).
20. Secure the antenna cable to the vehicle wiring harness with tie wrap (small).

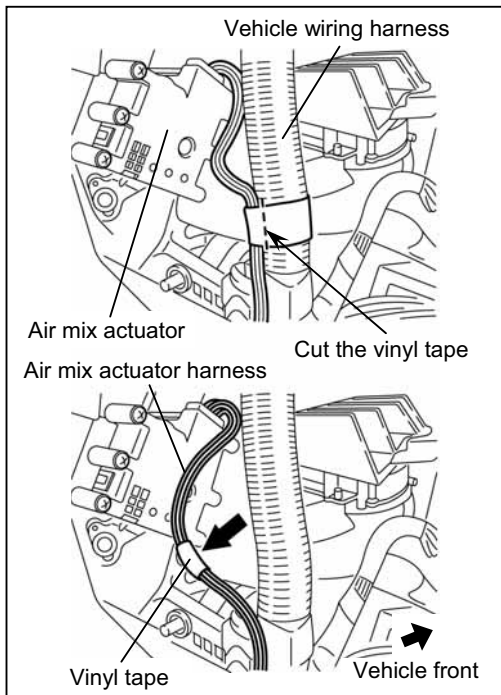


21. Secure the antenna cable to the vehicle wiring harness with tie wraps (small).

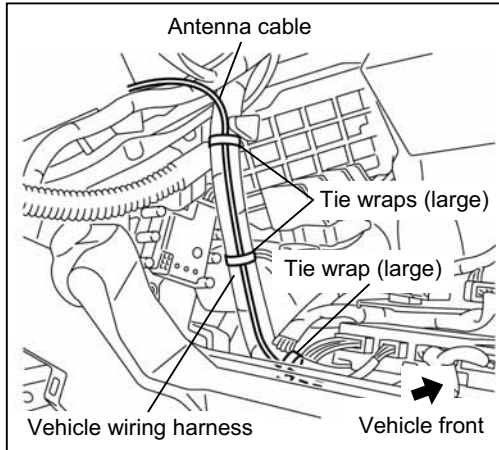
NOTE

- When installing Sirius only, go to Step 24 on page 25.

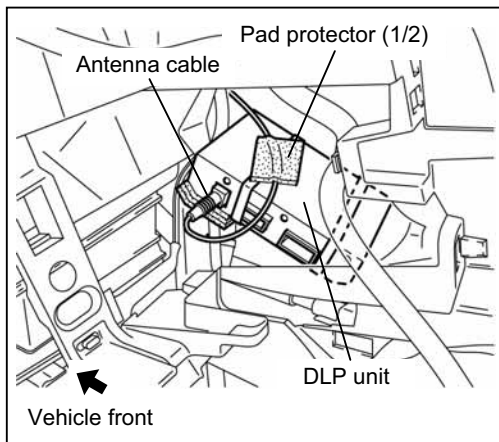
For installation of SIRIUS and iPod integration module



22. Cut the vinyl tape indicated in the figure.
23. Bundle the air mix actuator harness using vinyl tape and avoid the harness so that it does not interfere with the iPod integrated module installation.



24. Secure the antenna cable to the vehicle wiring harness with tie wraps (large).



25. Connect the antenna cable to the DLP unit.

⚠ CAUTION

- Do not connect the antenna cable with tension applied, otherwise it could affect the antenna performance. (Refer to CAUTION on page 6)

26. Secure the antenna cable to the DLP unit with pad protector halves.

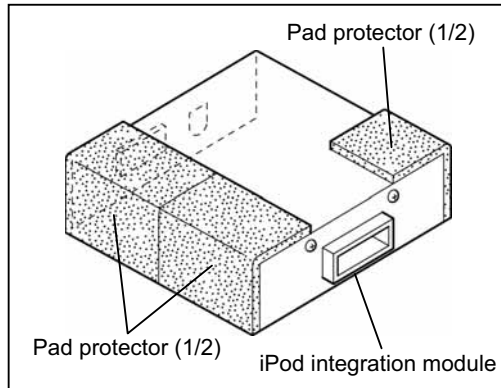
⚠ CAUTION

- To ensure proper affixing, be sure to degrease the area where the pad protector is affixed.

8 INSTALLING iPod INTEGRATION MODULE

NOTE

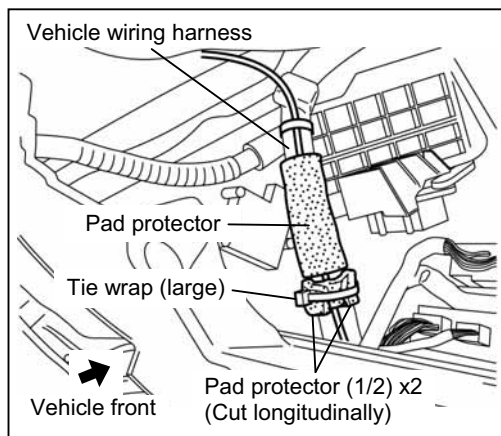
- When installing Sirius only, begin with Step 1 on page 30.



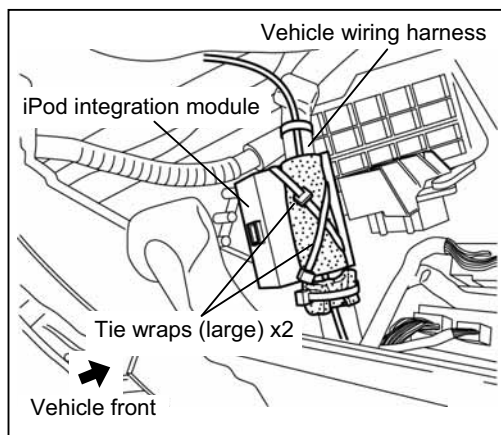
1. Affix the pad protector halves to the iPod integration module as shown in the figure.

CAUTION

- To ensure proper affixing, be sure to degrease the area where the pad protector is affixed.



2. Wrap the vehicle wiring harness with a pad protector.
3. Cut half of a pad protector longitudinally, wrap the vehicle wiring harness with the protector, and secure the harness using a tie wrap (large).



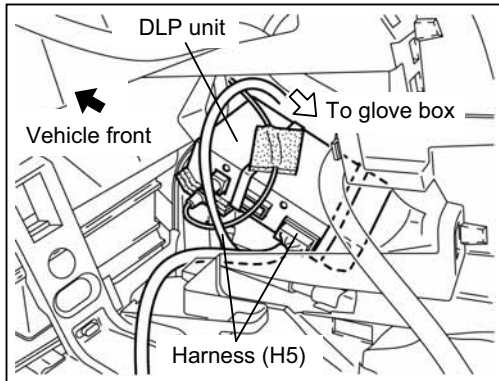
4. Affix the iPod integration module to the instrument panel from the passenger side.
5. Connect two tie wraps (large) and secure the iPod integration module to the vehicle wiring harness.

CAUTION

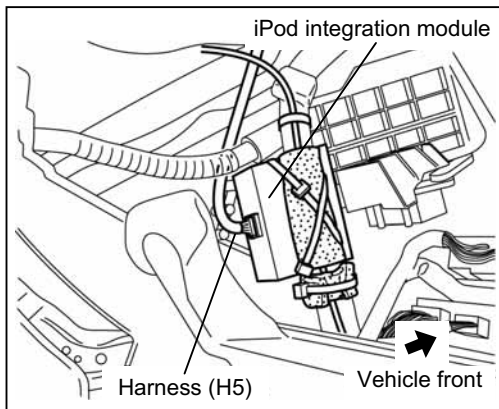
- Always attach the lower surface of the iPod integration module to the upper surface of the pad protector, which has been cut in half longitudinally, and secure it with a tie wrap (large). Otherwise, the iPod integration module may fall down.

9 INSTALLING THE HARNESS

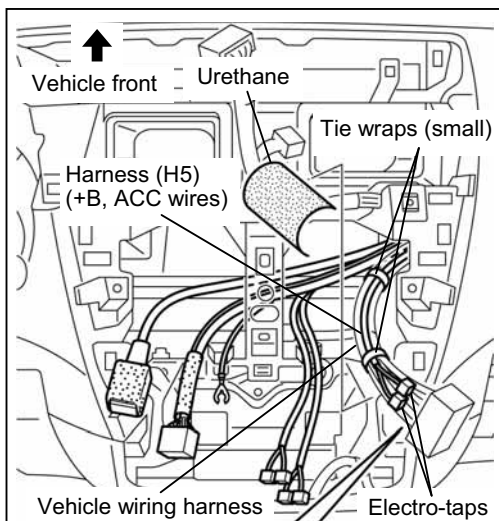
Installation of SIRIUS and iPod integration module



1. Connect the harness (H5) to the DLP unit.
2. Route the iPod connector of harness (H5) to the glove box side.



3. Connect the harness (H5) to the iPod integration module.

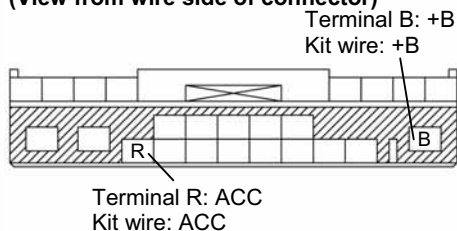


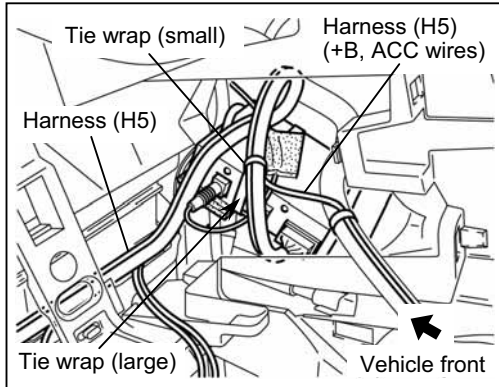
4. Branch connect the +B wire to the audio 24-pin connector (terminal B) using the electro tap.
5. Branch connect the ACC wire to the audio 24-pin connector (terminal R) using the electro tap.

Audio 24 pin connector (Vehicle wire)	Kit wire
Terminal B	+B
Terminal R	ACC

6. Wrap the electro taps and vehicle wiring harness together using urethane.
7. Secure the harness (H5) +B, ACC wires to the vehicle wiring harness with tie wraps (small).

[Audio 24 pin connector] (View from wire side of connector)

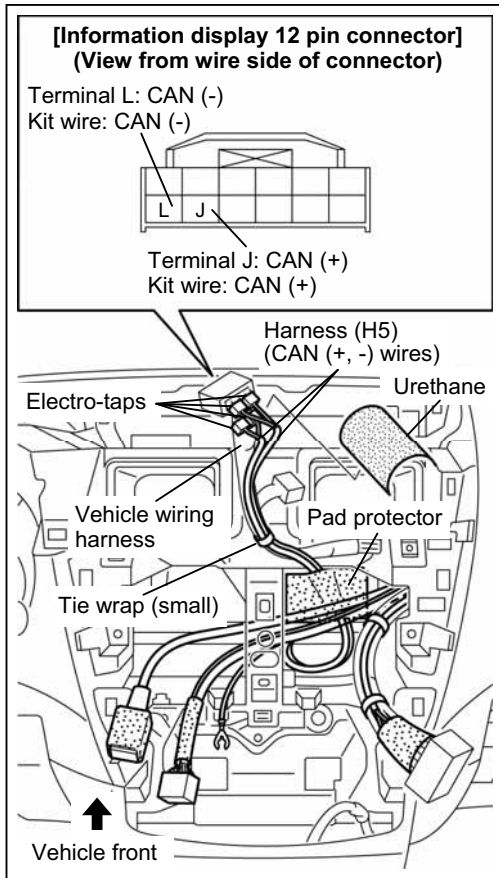




- Route a tie wrap (small) to a tie wrap (large) used for securing the DLP unit, route the harness (H5) as shown in the figure, and secure it.

⚠ CAUTION

- When reinstalling the audio unit, always secure it using a tie wrap (small). Otherwise, the harness (H5) may get caught.



- Branch connect the CAN (+) wires (for Sirius and for iPod) to the information display 12-pin connector (terminal J) using the electro taps.
- Branch connect the CAN (-) wires (for Sirius and for iPod) to the information display 12-pin connector (terminal L) using the electro taps.

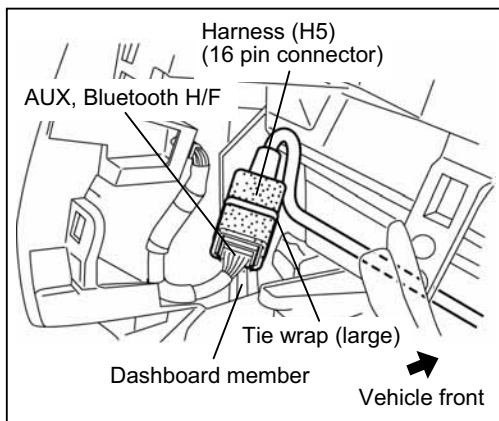
Information display 12 pin connector (Vehicle wire)	Kit wire
Terminal J	CAN (+)
Terminal L	CAN (-)

- Wrap the electro taps and vehicle wiring harness together using urethane.
- Secure the harness (H5) CAN (+, -) wires (for Sirius and for iPod) to the dashboard with pad protector.

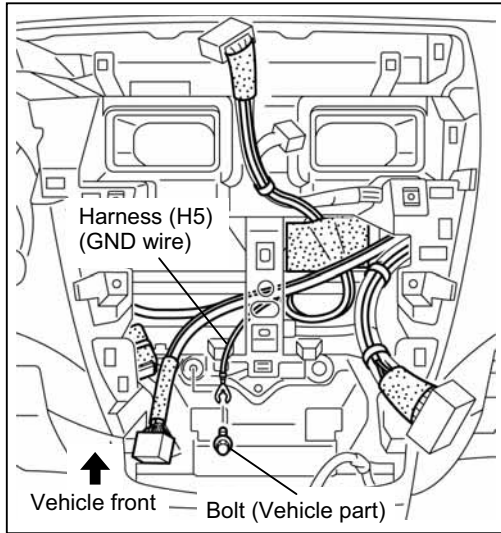
⚠ CAUTION

- To ensure proper affixing, be sure to degrease the area where the pad protector is affixed.

- Secure the harness (H5) CAN (+, -) wires (for Sirius and for iPod) to the vehicle wiring harness with tie wrap (small).



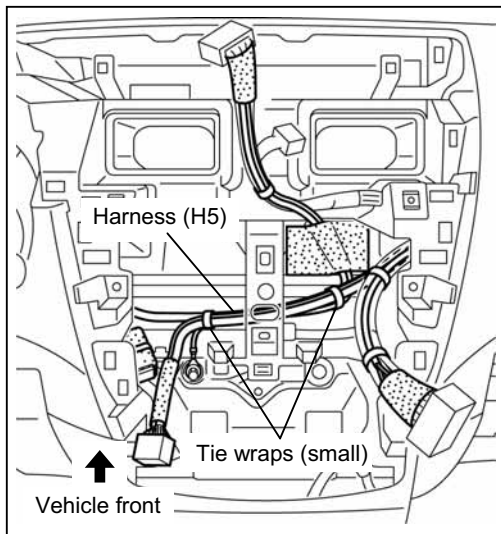
- Connect the harness (H5) 16 pin connector to the AUX, Bluetooth H/F connector.
- Affix the harness (H5) 16 pin connector to the dashboard member using a tie wrap (large).



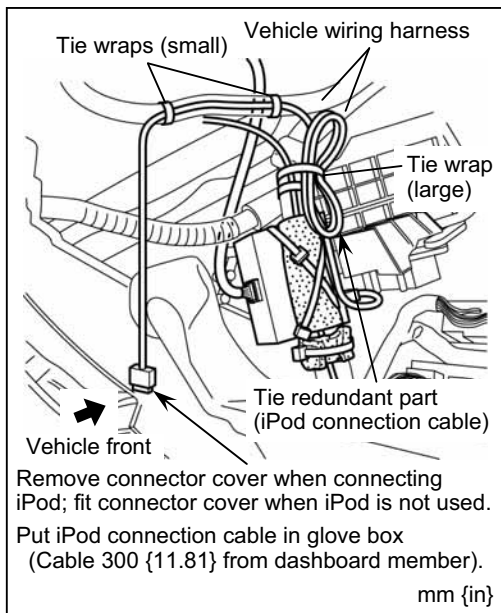
16. Tighten the harness (H5) GND wire using the vehicle bolt.

CAUTION

- Make sure the ground eyelet contacts the steel bracket.

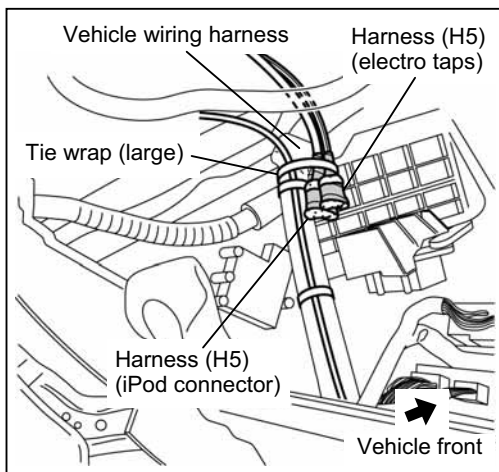
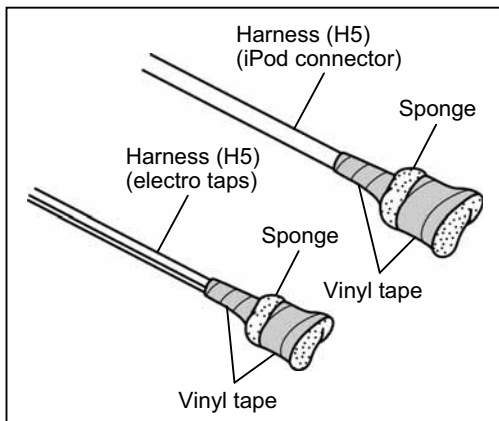
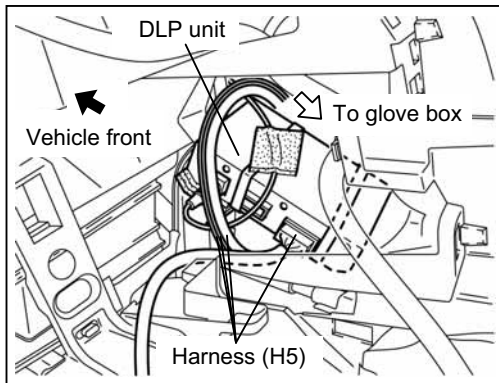


17. Bundle the harness (H5) redundant part and secure it using a tie wraps (small).

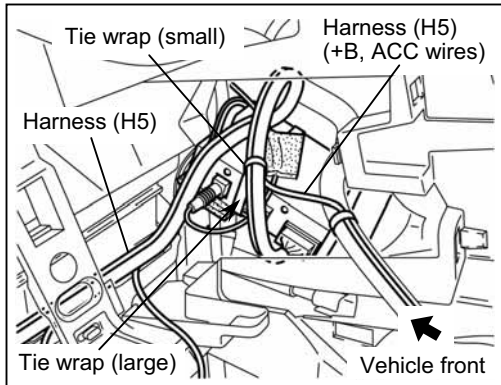
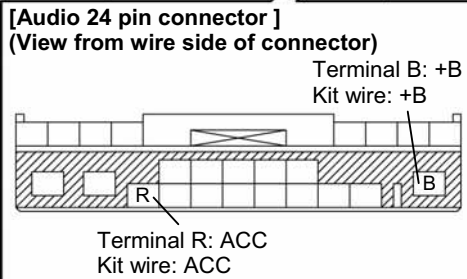
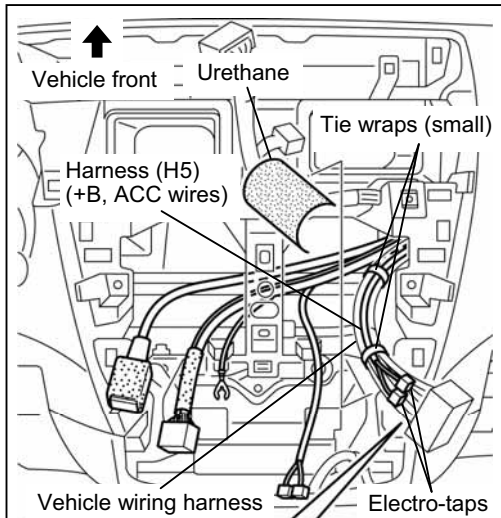


18. Connect the iPod connection cable to the iPod integration module.
19. Secure the iPod connection cable to the vehicle wiring harness with tie wraps (small).
20. Bundle the redundant part of iPod connection cable and secure it to the vehicle harness using a tie wrap (large).

Installation of SIRIUS only



1. Connect the harness (H5) to the DLP unit.
2. Route the iPod connector and electro taps (CAN wires for iPod) for the harness (H5) to the glove box side.
3. Wrap the iPod connector with the sponge and vinyl tape.
4. Wrap the electro taps (CAN wires for iPod) with the sponge and vinyl tape.
5. Secure the iPod connector and electro taps (CAN wires for iPod) to the vehicle wiring harness using a tie wrap (large).



6. Branch connect the +B wire to the audio 24-pin connector (terminal B) using the electro tap.
7. Branch connect the ACC wire to the audio 24-pin connector (terminal R) using the electro tap.

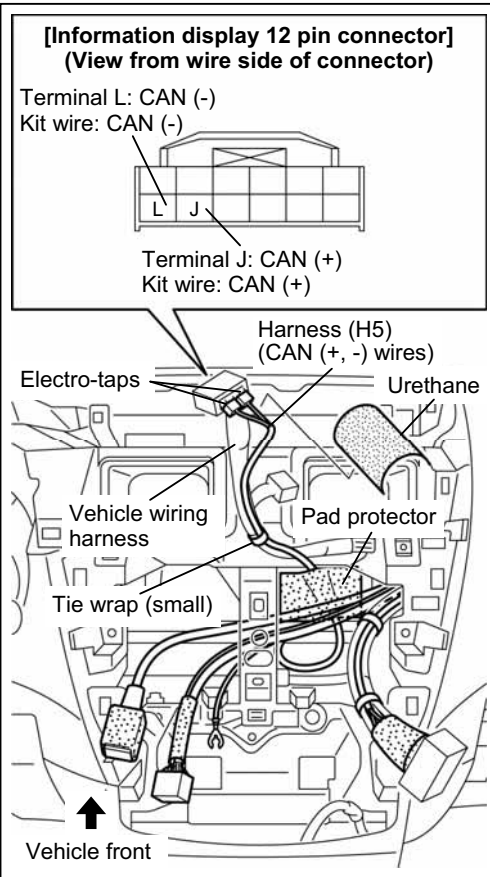
Audio 24 pin connector (Vehicle wire)	Kit wire
Terminal B	+B
Terminal R	ACC

8. Wrap the electro taps and vehicle wiring harness together using urethane.
9. Secure the harness (H5) +B, ACC wires to the vehicle wiring harness with tie wraps (small).

10. Route a tie wrap (small) to the tie wrap (large) used for securing the DLP unit, route the harness (H5) as shown in the figure, and secure it.

⚠ CAUTION

- When reinstalling the audio unit, always secure it using a tie wrap (small). Otherwise, the harness (H5) may get caught.



11. Branch connect the CAN (+) wire (for Sirius) to the information display 12-pin connector (terminal J) using the electro tap.
12. Branch connect the CAN (-) wire (for Sirius) to the information display 12-pin connector (terminal L) using the electro tap.

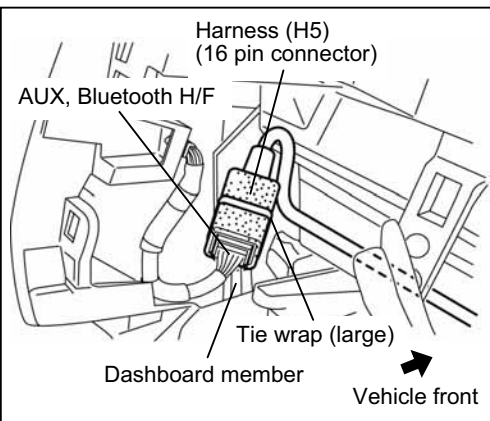
Information display 12 pin connector (Vehicle wire)	Kit wire
Terminal J	CAN (+)
Terminal L	CAN (-)

13. Wrap the electro taps and vehicle wiring harness together using urethane.
14. Secure the harness (H5) CAN (+, -) wires (for Sirius) to the dashboard with pad protector.

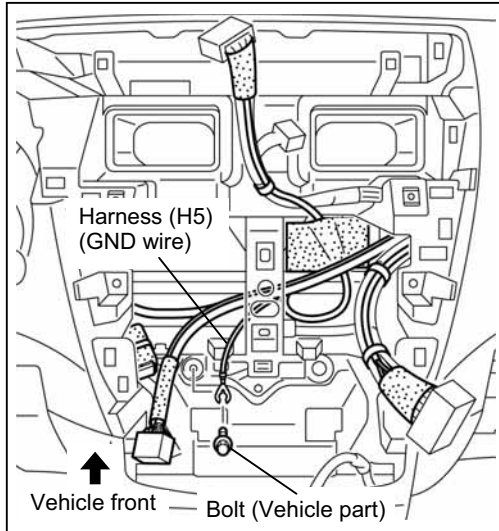
⚠ CAUTION

- To ensure proper affixing, be sure to degrease the area where the pad protector is affixed.

15. Secure the harness (H5) CAN (+, -) wire (for Sirius) to the vehicle wiring harness with tie wrap (small).



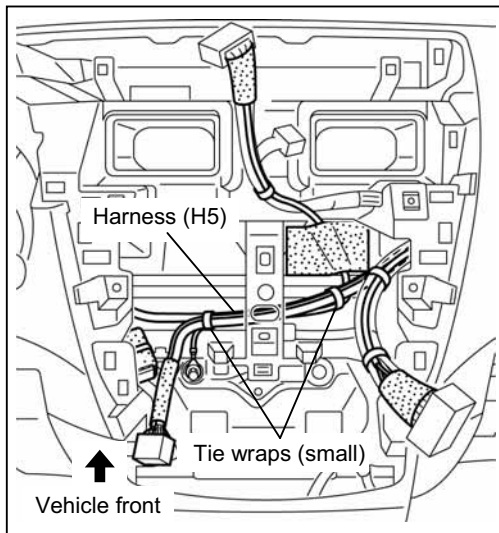
16. Connect the harness (H5) 16 pin connector to the AUX, Bluetooth H/F connector.
17. Affix the harness (H5) 16 pin connector to the dashboard member using a tie wrap (large).



18. Tighten the harness (H5) GND wire using the vehicle bolt.

⚠ CAUTION

- Make sure the ground eyelet contacts the steel bracket.



19. Bundle the harness (H5) redundant part and secure it using a tie wraps (small).

10 REINSTALLATION OF VEHICLE PARTS

- Install in the reverse order of “5. Part removal”.

 **CAUTION**

- After installing the vehicle parts, check for dirt. Clean any dirty parts.

- Perform the Inspection indicated on the last page of these installation instructions.

 **CAUTION**

- When the battery is disconnected, the windows will not fully open and close automatically. Perform the following procedure to resume operation:
 1. Turn the ignition switch to the ON position.
 2. Press the switch and fully open the window.
 3. Pull up the switch and continue holding for about 2 seconds to fully close the window.
 4. If the function does not operate even after the ignition switch is turned off, contact an Authorized Mazda Dealer.

11 INSPECTION

- Inspect the installed / reinstalled parts for the following items.
- Inspection parts differ depending on the vehicle.

Inspection Parts	Inspection Items (○)			
	Clearance/Fit	Scratches/ Dirt/ Harness interference	Installation/ Tightening/ Engagement	Operation check
Hole cover	○	○	○	
Rear combination light (passenger's side)	○	○	○	○
Trunk side trim (passenger's side)	○	○	○	
Cargo compartment light	○	○	○	○
Trunk end trim	○	○	○	
Third-row seat	○	○	○	
Sub trunk	○	○	○	
Trunk board	○	○	○	
Trunk mat	○	○	○	
B-pillar lower trim (passenger's side)	○	○	○	
Rear scuff plate (passenger's side)	○	○	○	
Lower panel (passenger's side)	○	○	○	
Glove box	○	○	○	
Dashboard under cover	○	○	○	
Side panel	○	○	○	
Center panel module	○	○	○	*1 ○
Heater control unit	○	○	○	○
Information display	○	○	○	○
Switch panel	○	○	○	○
Front console	○	○	○	
Indicator panel (ATX)/ Shift panel (MTX)	○	○	○	
Center console	○	○	○	
Front console plate	○	○	○	○
Front cup holder	○	○	○	○
Side wall (driver's side /passenger's side)	○	○	○	
Front side trim (passenger's side)	○	○	○	
Front scuff plate (passenger's side)	○	○	○	
Battery cable	○	○	○	
Battery cover	○	○	○	

○: Applicable

*1: Refer to the Owner's Manual and the SATELLITE RADIO instruction manual, and verify that the system operates correctly.

Ex.: Turn the power ON, increase the volume, and press the SAT button.

- Direct access channel 184 is a test channel provided by Sirius.
Press the SAT button on the radio, and if properly installed you will receive a signal from the Sirius broadcast.
Note: Sirius broadcasts can only be received in an open area, enclosed spaces such as garages or work buildings block the satellite reception.

To troubleshoot problems, go to the following web page and select "Troubleshooting" in the Satellite Radio section:
https://portal.mazdausa.com/dealershome/service_parts/accy_website

The term of validity for this sheet: 12 months

Date				
Vehicle				
VIN				
Approved		Checked		Person in charge